



Benchcrafted Tail Vice

Schwarz/Roubo Retrofit

Copyright, Benchcrafted 2010
www.benchcrafted.com



For those who've built Chris Schwarz's Roubo bench featured in Woodworking Magazine and Schwarz's book *Workbenches: From Design and Theory To Construction And Use*, and would like to install the vise in the same way that Chris did on his own bench, we offer this instructional pdf and templates. Plans for the Roubo bench can be found at www.lostartpress.com

We suggested to Chris that he use a left hand vise for his installation. Using a left hand vise on the right end of the bench places the screw forward of the the dog block, which in effect moves the handwheel closer to the front of the bench, in a more convenient position. Chris' vise is positioned so the dog block falls behind the legs of the bench, about 6" back from the front. This allows you to drill dog holes along the length of the bench without interfering with the legs. Because your own bench may differ from Chris' in final dimension, these numbers are not included on the templates. Right handed vises will work fine as a retrofit, the handwheel will simply be behind the screw and farther away from the front of the bench.

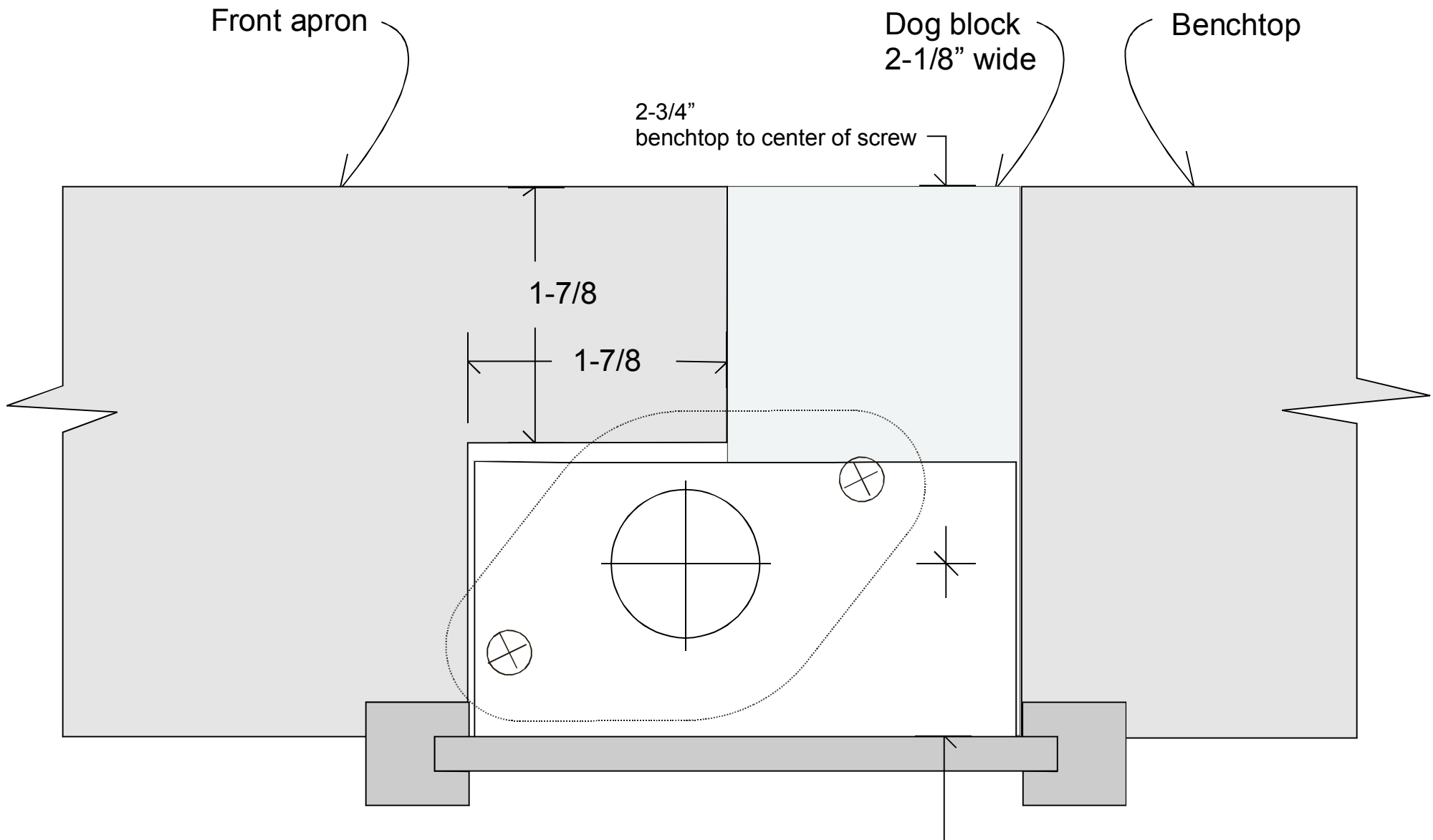


Here the left-hand aspect can be seen. The screw falls to the left (or in front when standing in front of the bench) of the dog block.



This places the handwheel about 3" closer to the front of the bench than if a right-hand vise had been used.





Front apron

Dog block
2-1/8" wide

Benchtop

2-3/4"
benchtop to center of screw

1-7/8

1-7/8

1-1/4"
Bottom of 4" benchtop
to center of screw



Benchcrafted Tail Vise
Schwarz/Roubo Installation
Template v.2



Scale 1"
Actual Size