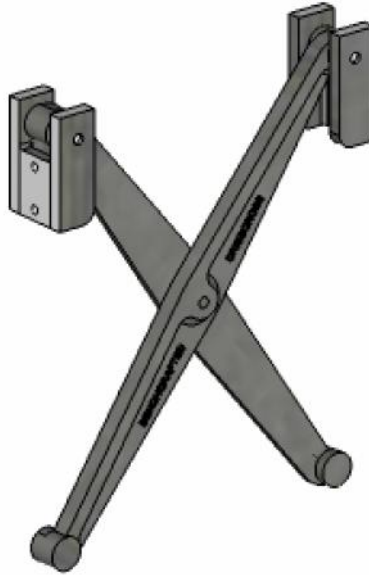


BENCHCRAFTED CRISSCROSS Assembly and Installation Instructions

- PREVIEW -

Copyright, Benchcrafted 2012 · Version: Sept 2012
www.benchcrafted.com



Unpacking your Crisscross:

Some parts are heavy. Be careful as you unpack and handle them. Also be aware that although we make every effort to ease all edges, being machined parts you may encounter a sharp edge or burr. If you do, ease it with some fine abrasive paper or a fine file. Some components may have a rust preventative oil applied. You should remove this oil before installing the vise. Wipe it off with a clean paper towel, followed by a clean towel with a bit of mineral spirits. This will leave a light film of oil on the parts that will help prevent rust and keep the parts moving smoothly. Follow the classic advice about disposal of oily rags.

IMPORTANT !

Read and understand these instructions completely and thoroughly before starting the installation or cutting into your bench. Confirm all template measurements with your vise before installation and layout your cuts in full size right on your bench components. Do not begin installation without the vise and all hardware in your possession.



**! ATTENTION !
Make sure when printing any templates that you turn off your printer's page scaling function. Then use the 1" scale on the templates to confirm that the template is actual size.**

This brief preview of the Benchcrafted Crisscross is intended for those anticipating installing a Crisscross.

The following prints provide all the necessary information for prepping your leg and chop to receive the Crisscross. We may have slightly different installation methods once the production run is complete. If you're not in a hurry, we recommend you wait until those texts are ready.

Placement

The Crisscross occupies 19-1/2" of vertical space in your bench leg and chop. You can position the Crisscross anywhere you like (vertically, it should be centered horizontally) with a minimum of 1" of material left below the Crisscross mortise in the leg.

You can also place the vise screw above the Crisscross greater than the specified 2-1/8". We've left about 1/2" of material between the Crisscross mortise and our acetal Glide bushing. You can eliminate this 1/2" of material if you need to for space concerns. If you're retrofitting a Crisscross with a typical T-handle bench screw, you can get the Crisscross even closer. We recommend keeping the top end of the Crisscross at least 1/2" away from your bench screw, however.

The dimensions on the prints represent the "lowest" position of the Crisscross and vise screw. Especially in taller benches you may want to raise up both the screw and the Crisscross. The former so you don't have to bend over too much to operate the vise. 9" from benchtop to screw is a good distance. It doesn't matter where the Crisscross is placed relative to the vise screw--it will function properly at any position.

If you're putting the Crisscross in a low bench (around 31") and you have an upper rail between your front and rear leg, make sure you layout the position of everything right on the parts so your vise's nut doesn't end up in the path of the upper rail.

Part dimensions

Your leg and chop will need to be a minimum of 2-1/2" thick to house the Crisscross. You don't need thick stock, you can laminate 8/4 stock onto 4/4 stock to achieve that thickness. Position the glue lines towards the inside face so the mortise floor falls within solid stock. The chop can be as narrow as 5", but you'll get better holding if you make it around 8" wide at the top. You can cut any design you like onto the sides of the chop--tombstone shape, coves and curves-whatever. Just save that step for the very end.

If you're retrofitting to our Glide leg vise, you'll need to make a new chop. Your existing

one is likely too short for the Crisscross. You may want to plug the parallel guide mortise as well, just for looks. It won't affect the function of the Crisscross if you leave it open.

Leg-to-base Joinery

For those who are retrofitting into our Split Top Roubo, or planning to build the STR, the Crisscross mortise in the leg calls for some different joinery between the leg and front rail.

In the Split Top Roubo, the typical placement of the bolt and barrel nut falls within the Crisscross mortise. To solve this issue, a wider front rail (and tenon) is made to allow the bolt and barrel nut to be installed ***behind*** the Crisscross mortise. See drawings and prints.

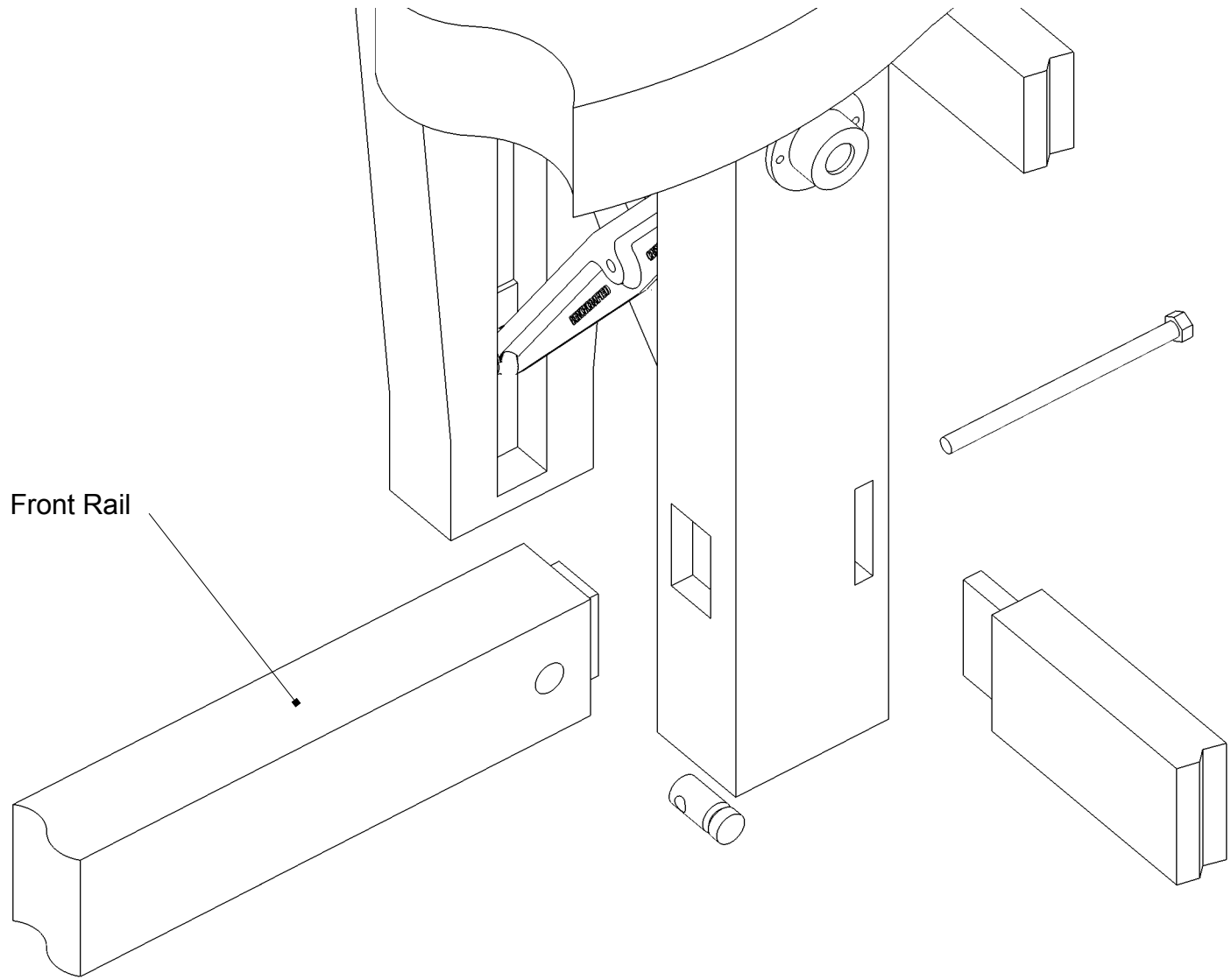
Pivot Pin Recess

You may need to make a small pivot pin recess on the inside faces of the vise to allow the vise to close completely. We haven't finalized this part of the vise yet, so probably best to leave these out for now. You can add them easily later when your Crisscross arrives.


We hope this preview will help you in planning your bench build while we make the first run of Crisscrosses. We will have detailed installation instructions when the Crisscross is released soon. In the meantime, if you have any questions or concerns about building your bench for the Crisscross, drop us an email jameel@benchcrafted.com

Please also see our various posts about the Crisscross at the Benchcrafted blog.

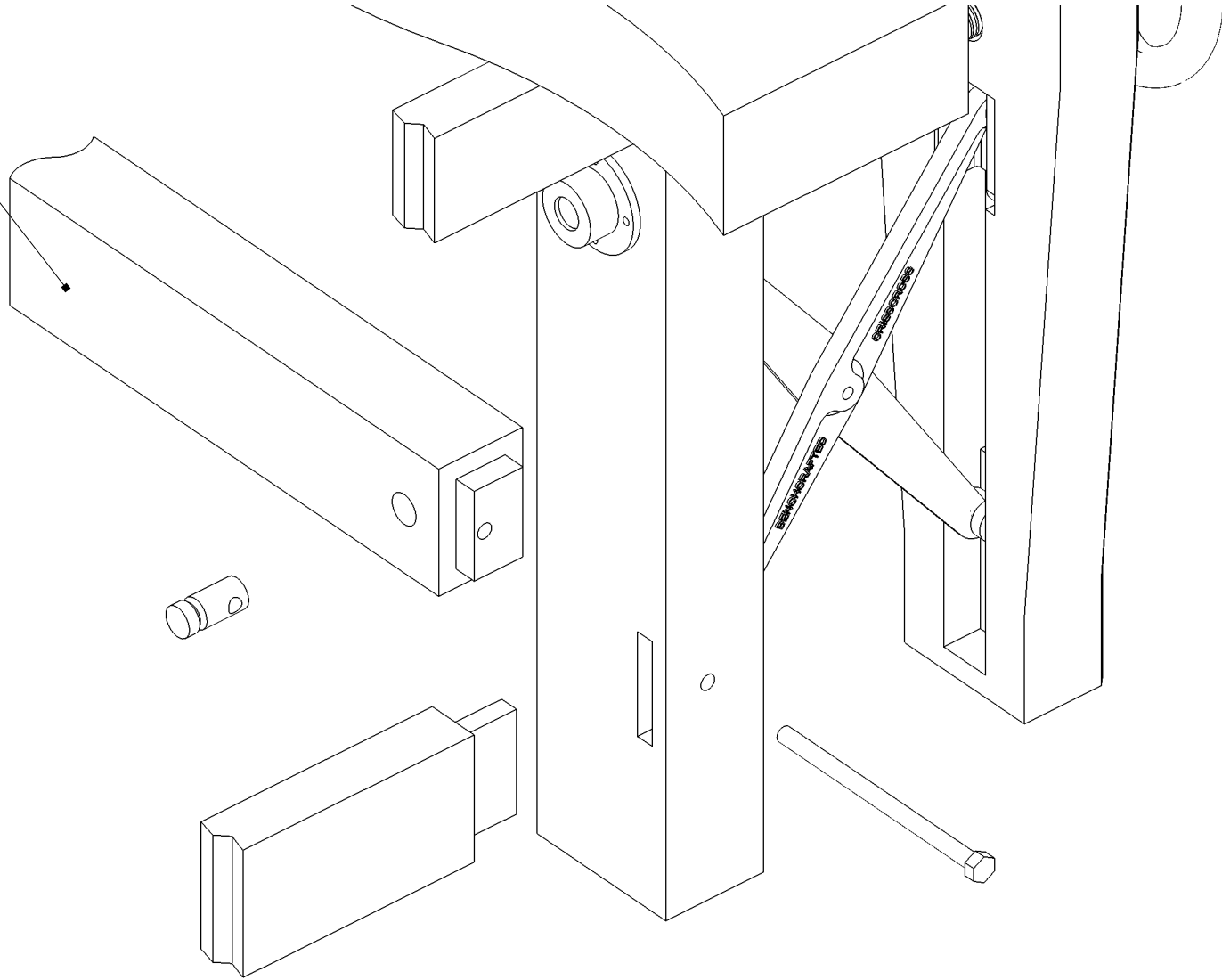
<http://benchcrafted.blogspot.com/search/label/Crisscross>



Front Rail

| | | | | |
|---|--------------------------------|---------------------|------------------------|---|
| <p>Crisscross</p> | <p>Vise Leg Joinery</p> | | |  |
| <p><i>Copyright 2012 Benchcrafted No unauthorized duplication without permission.</i></p> | <p><i>Scale:</i></p> | <p><i>Page:</i></p> | <p><i>Version:</i></p> | |

Front Rail



Crisscross

Vise Leg Joinery

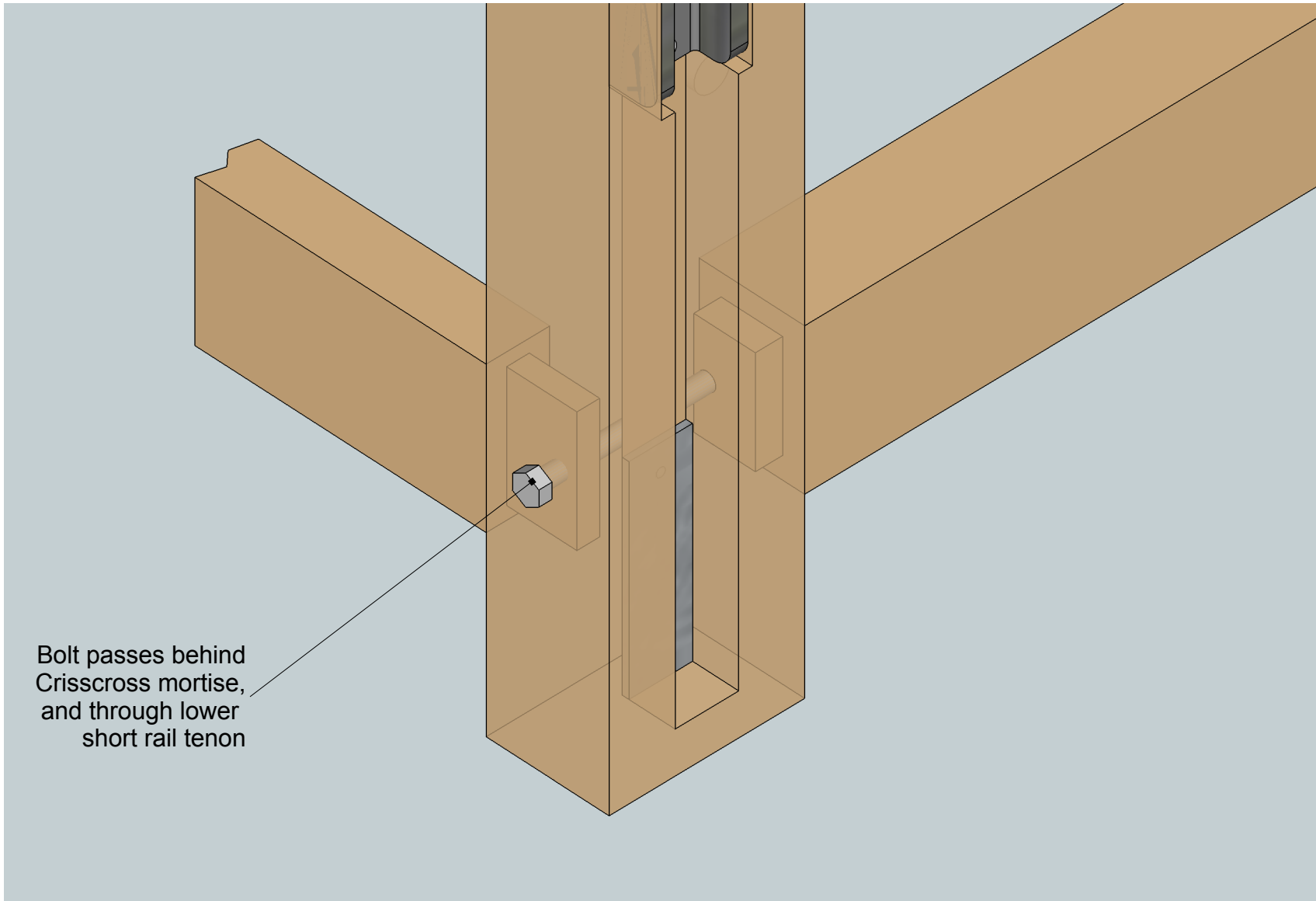
Copyright 2012 Benchcrafted
No unauthorized duplication without
permission.

Scale:


Page:

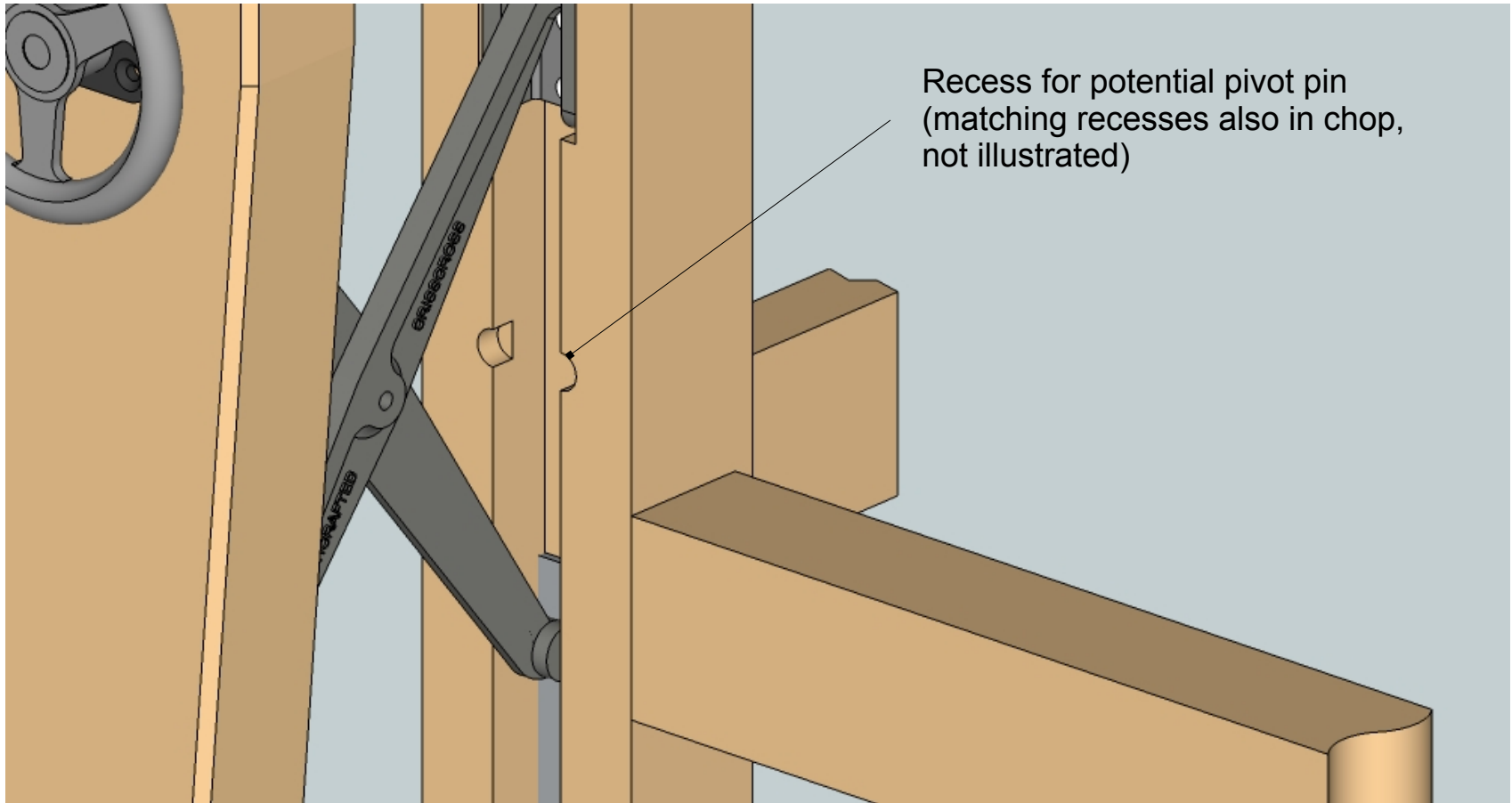
Version:






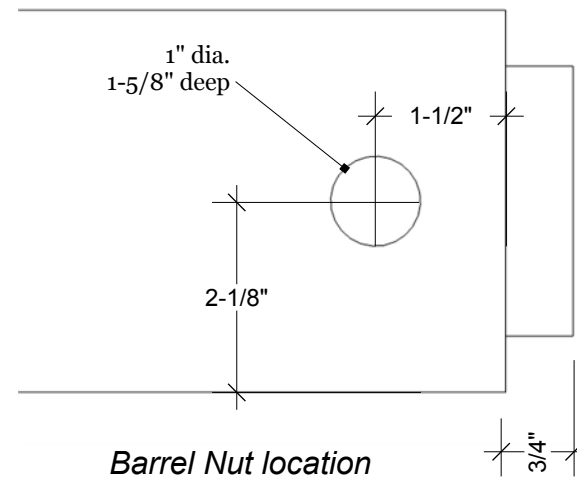
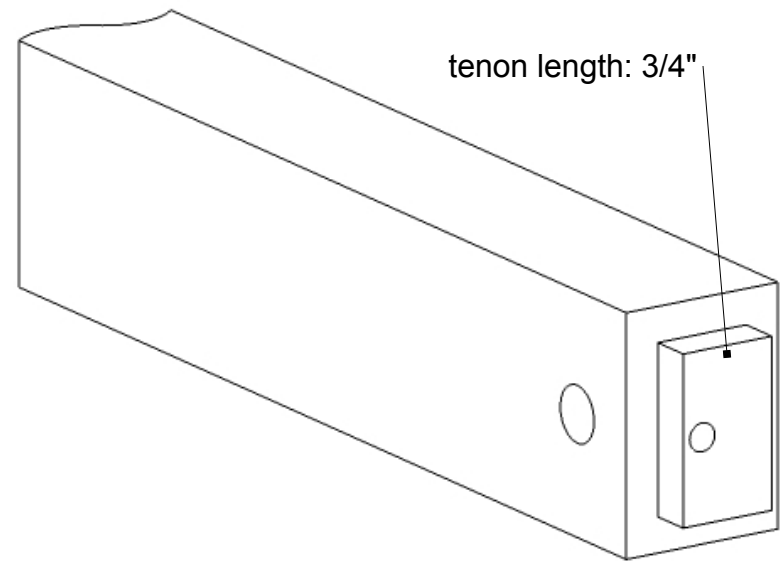
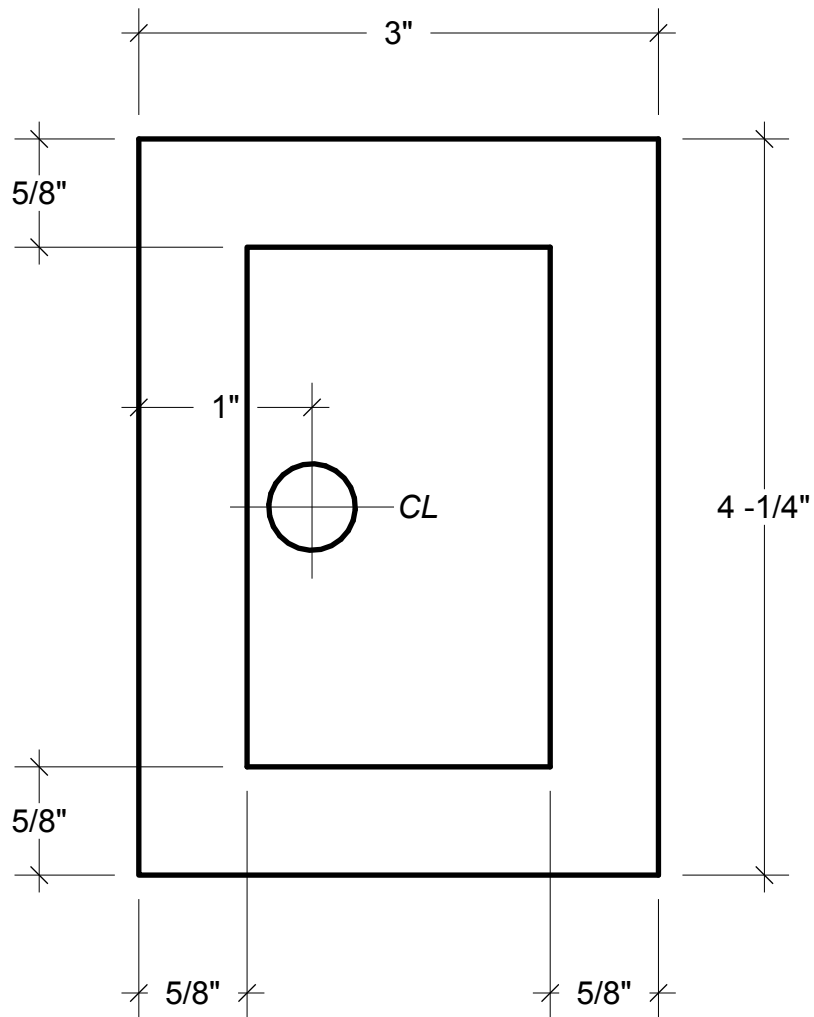
Bolt passes behind
Crisscross mortise,
and through lower
short rail tenon


| | | | | |
|--|-------------------------|--------------|-----------------|---|
| Crisscross | Vise Leg Joinery | | |  |
| <i>Copyright 2012 Benchcrafted No unauthorized duplication without permission.</i> | <i>Scale:</i> | <i>Page:</i> | <i>Version:</i> | |

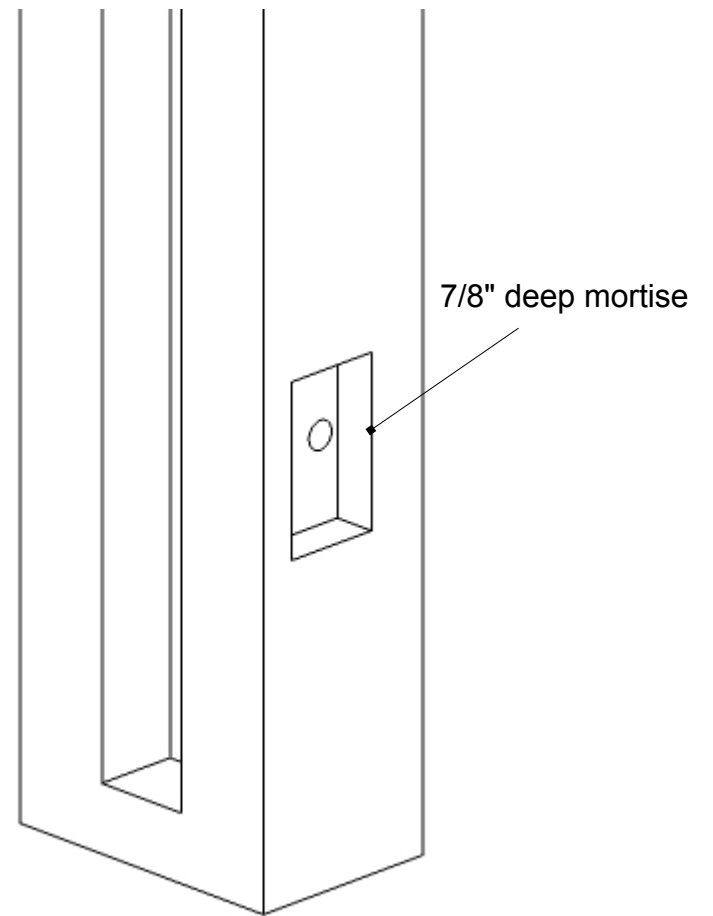
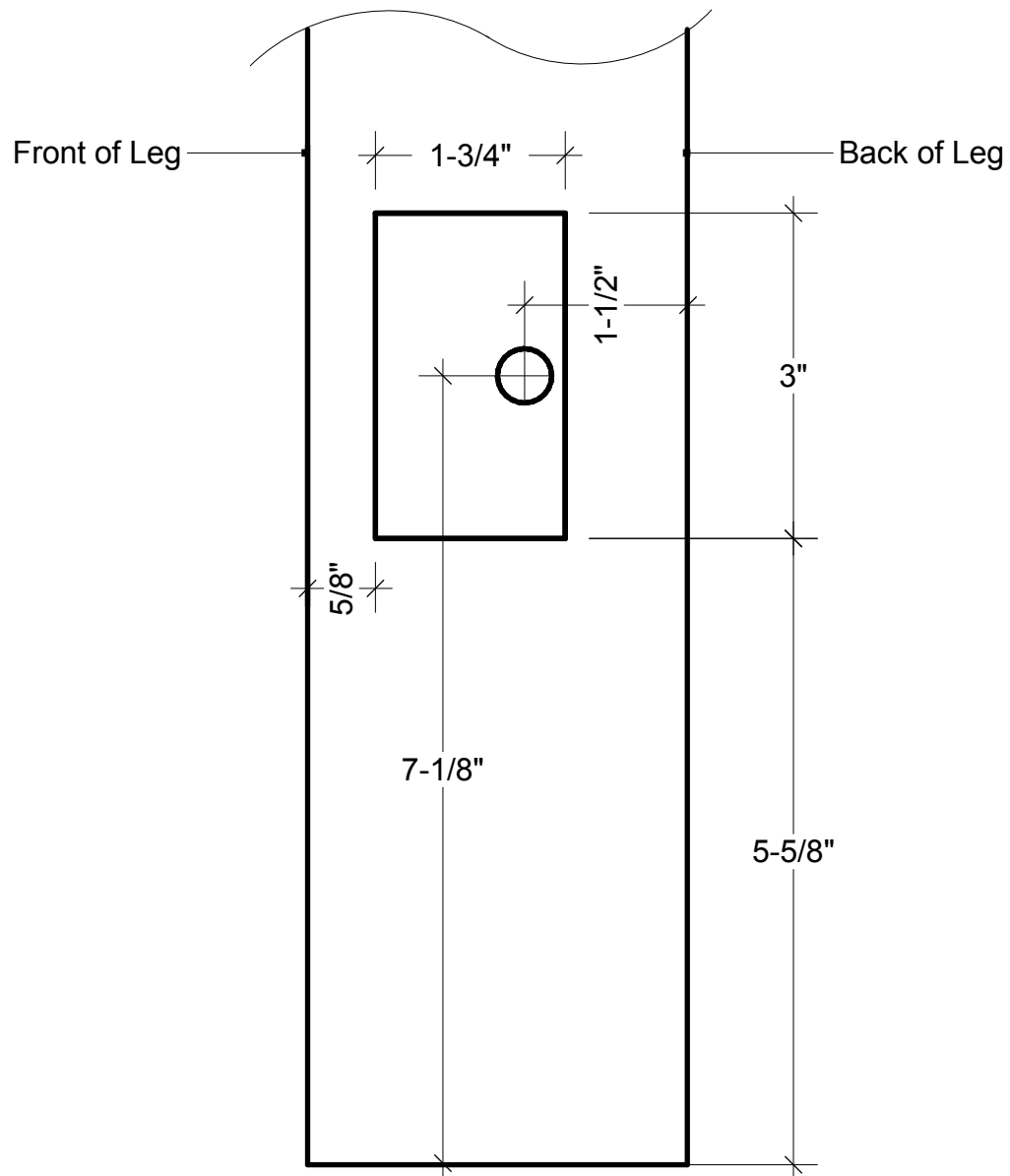


| | | | | |
|--|------------------|--------------|----------|---|
| Crisscross | Pivot Pin Recess | | |  |
| <i>Copyright 2012 Benchcrafted No unauthorized duplication without permission.</i> | Scale: | Page: 1:1 | Version: | |


Cut on both ends of front rail.



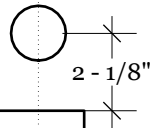
| | | | | |
|---|--------------------------------|-----------------------------|----------------------------------|---|
| <p>Crisscross</p> | <p>Front Rail Tenon</p> | | |  |
| <p><i>Copyright 2012 Benchcrafted No unauthorized duplication without permission.</i></p> | <p><i>Scale: nts</i></p> | <p><i>Page: 1:1</i></p> | <p><i>Version: Rev 1</i></p> | |



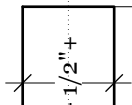
*Leg Vise leg shown (w/ Crisscross mortise.)
Cut mirror-image rail mortise on
opposite front leg.*

| | | | | |
|--|-----------------------|----------------------|---------------------------|---|
| Crisscross | Front Rail Mortise | | |  |
| <i>Copyright 2012 Benchcrafted No unauthorized duplication without permission.</i> | <i>Scale: 1:1</i> | <i>Page: 1:1</i> | <i>Version: Rev 1</i> | |

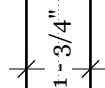
31 - 1/2"



2 - 1/8"



2 - 1/2"



1 - 3/4"

3/4"

27 - 1/2"

19 - 1/2"

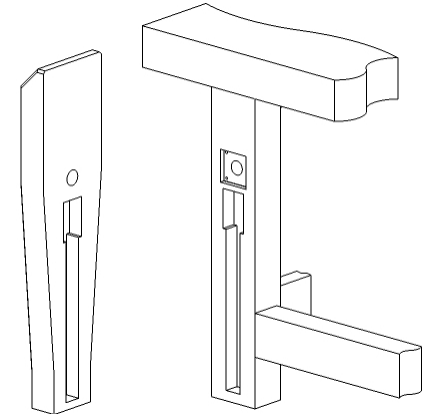
8 - 7/8"

2 - 1/8"

3 - 7/8"

1"

*For a 31-1/2" high bench
with a 4" thick top
(min. height for Split Top Roubo
before nut contacts short upper rail)*



Mortise Depth: 1 - 7/16" chop and leg

Crisscross

Mortise Dimension

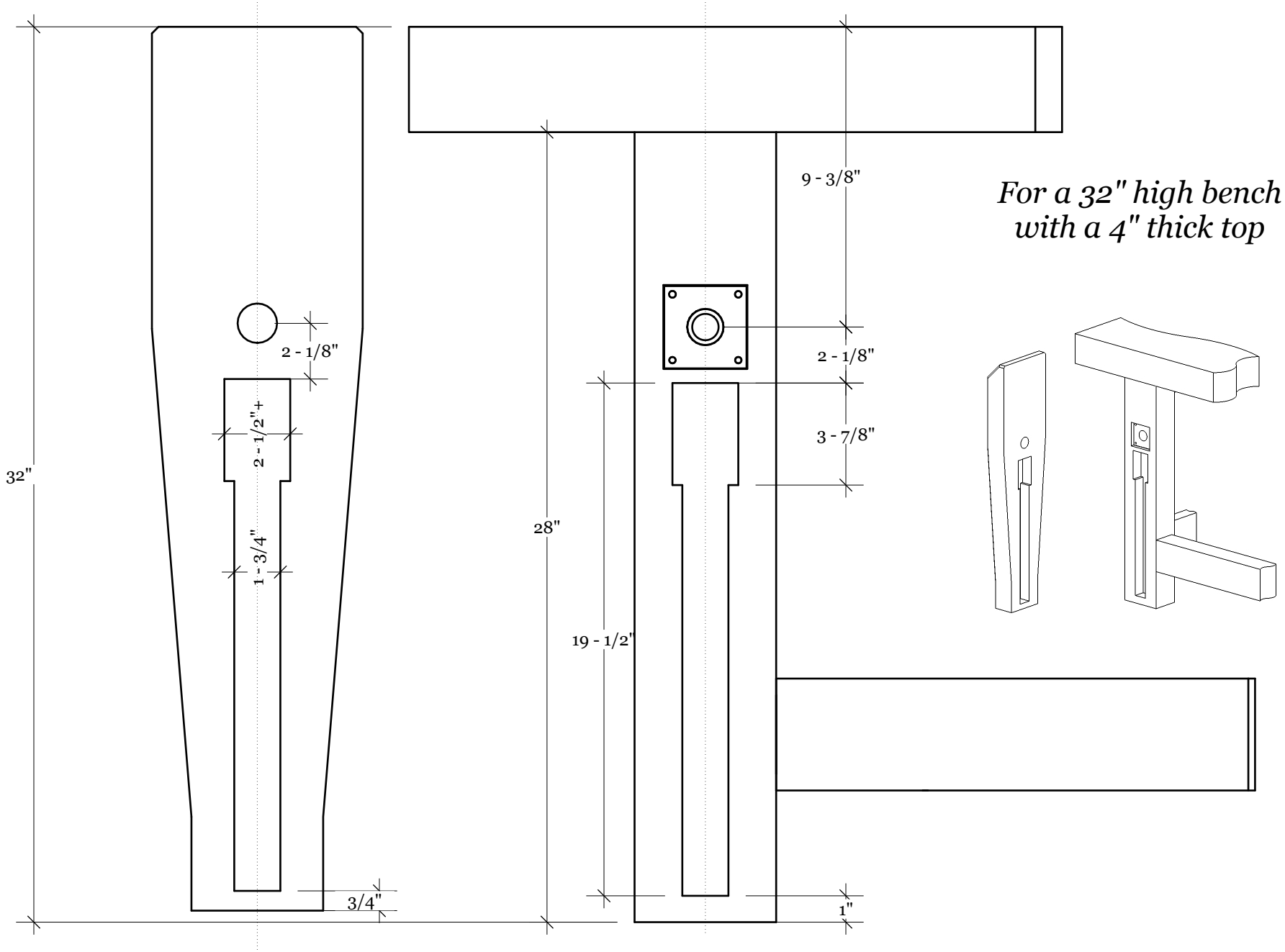
*Copyright 2012 Benchcrafted
No unauthorized duplication without
permission.*

Scale:

Page:

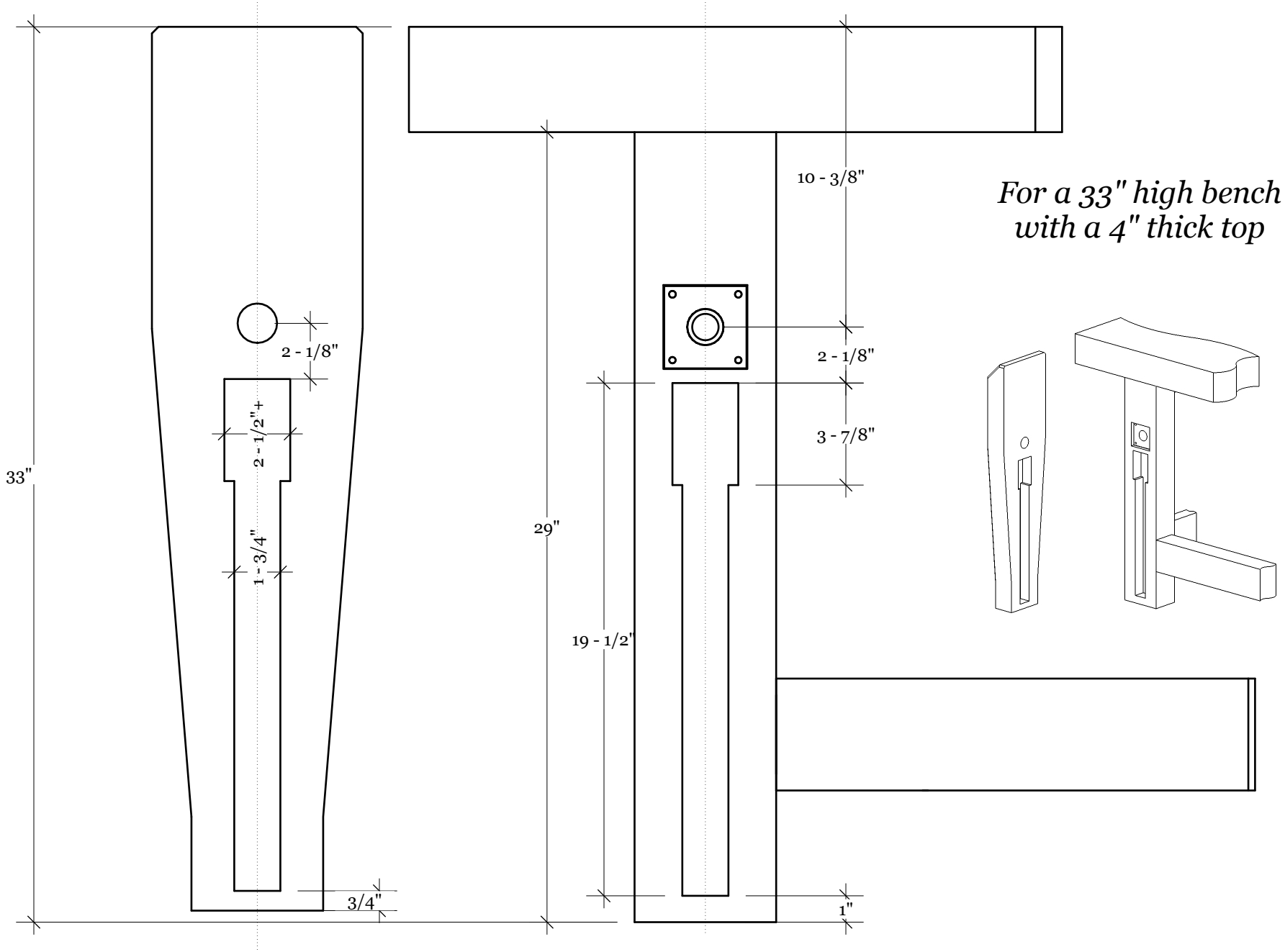
Version:






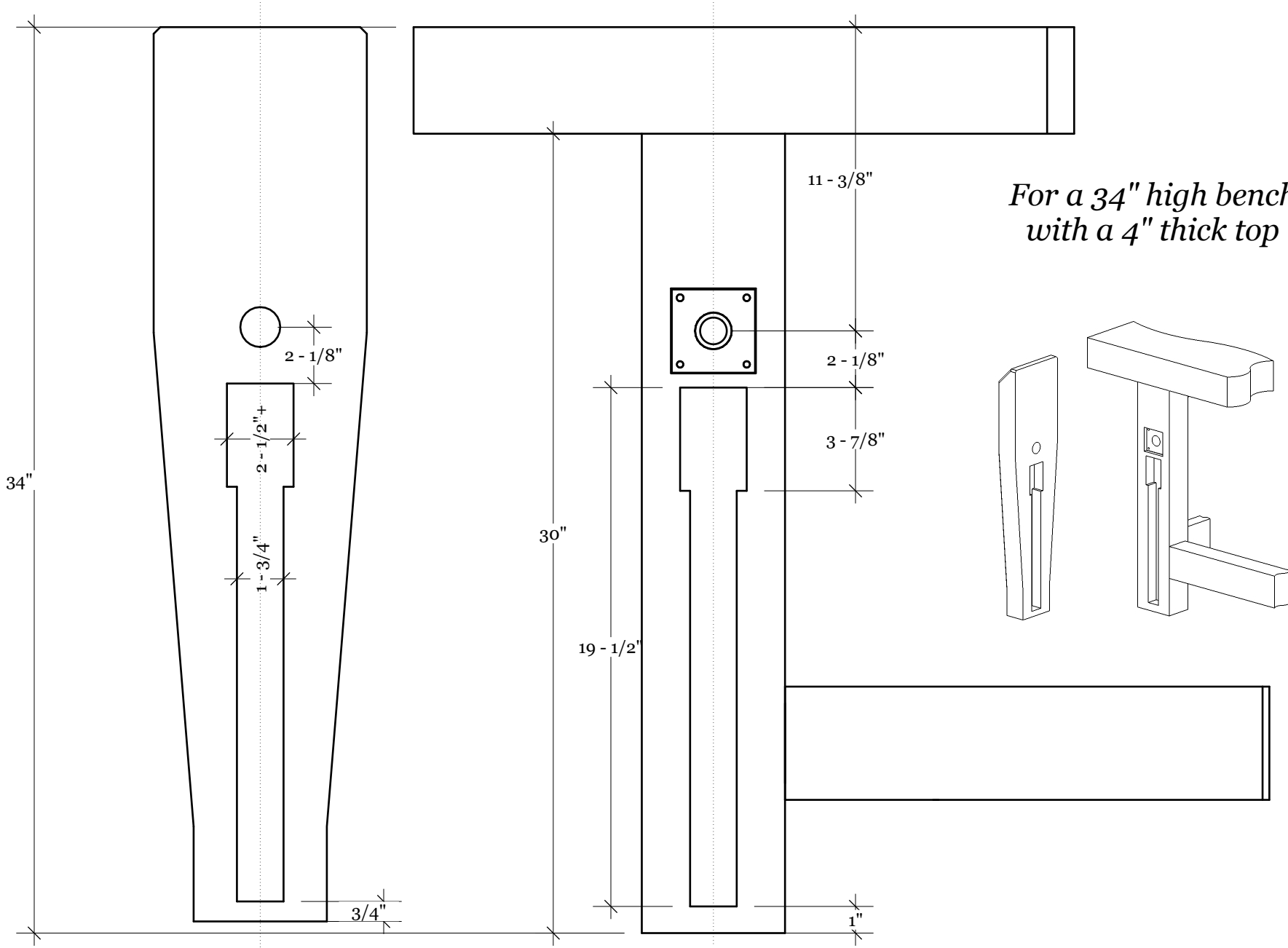
Mortise Depth: 1 - 7/16" chop and leg

| | | | | |
|--|---------------------------------|--------------|-----------------|--|
| <p>Crisscross</p> <p><i>Copyright 2012 Benchcrafted No unauthorized duplication without permission.</i></p> | <p>Mortise Dimension</p> | | | |
| | <p>Scale:</p> | <p>Page:</p> | <p>Version:</p> | |




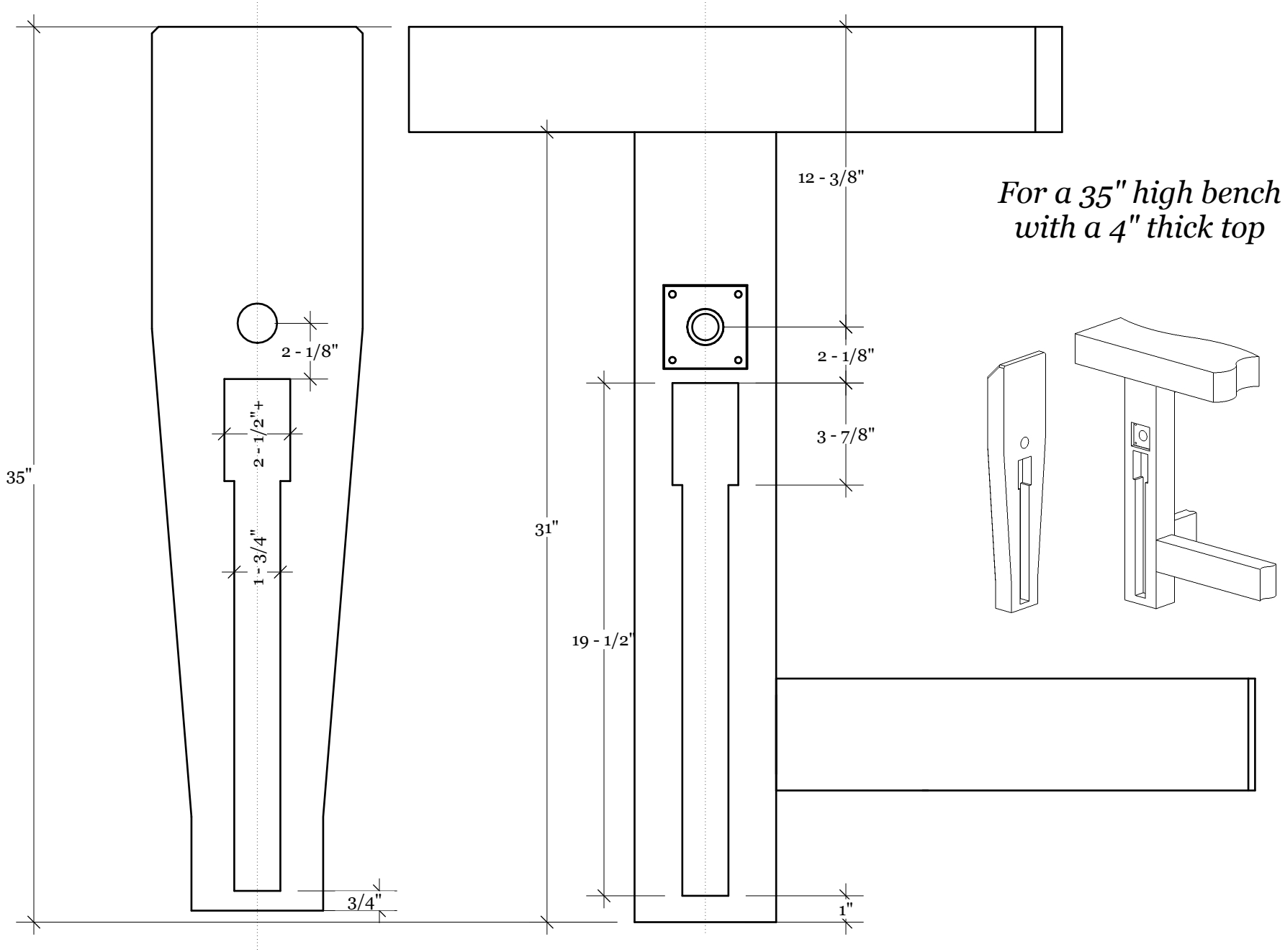
Mortise Depth: 1 - 7/16" chop and leg

| Crisscross | Mortise Dimension | | |  |
|---|-------------------|-------|----------|---|
| Copyright 2012 Benchcrafted No unauthorized duplication without permission. | Scale: | Page: | Version: | |




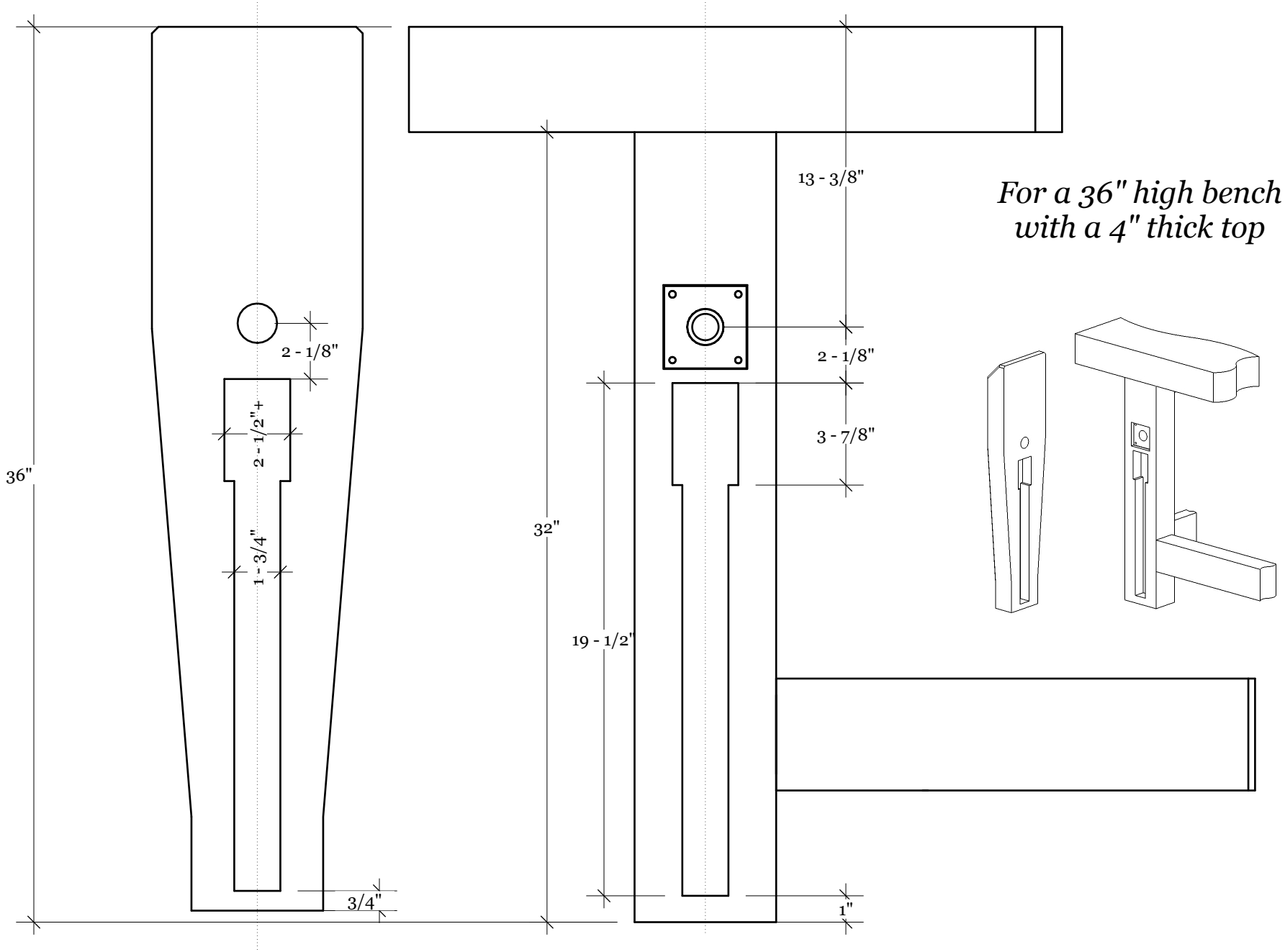
Mortise Depth: 1 - 7/16" chop and leg

| Crisscross | Mortise Dimension | | |  |
|--|-------------------|-------|----------|---|
| Copyright 2012 Benchcrafted No unauthorized duplication without permission. | Scale: | Page: | Version: | |



Mortise Depth: 1 - 7/16" chop and leg

| Crisscross | Mortise Dimension | | |  |
|---|-------------------|-------|----------|---|
| Copyright 2012 Benchcrafted No unauthorized duplication without permission. | Scale: | Page: | Version: | |



Mortise Depth: 1 - 7/16" chop and leg

| Crisscross | Mortise Dimension | | |
|---|-------------------|-------|----------|
| Copyright 2012 Benchcrafted No unauthorized duplication without permission. | Scale: | Page: | Version: |

